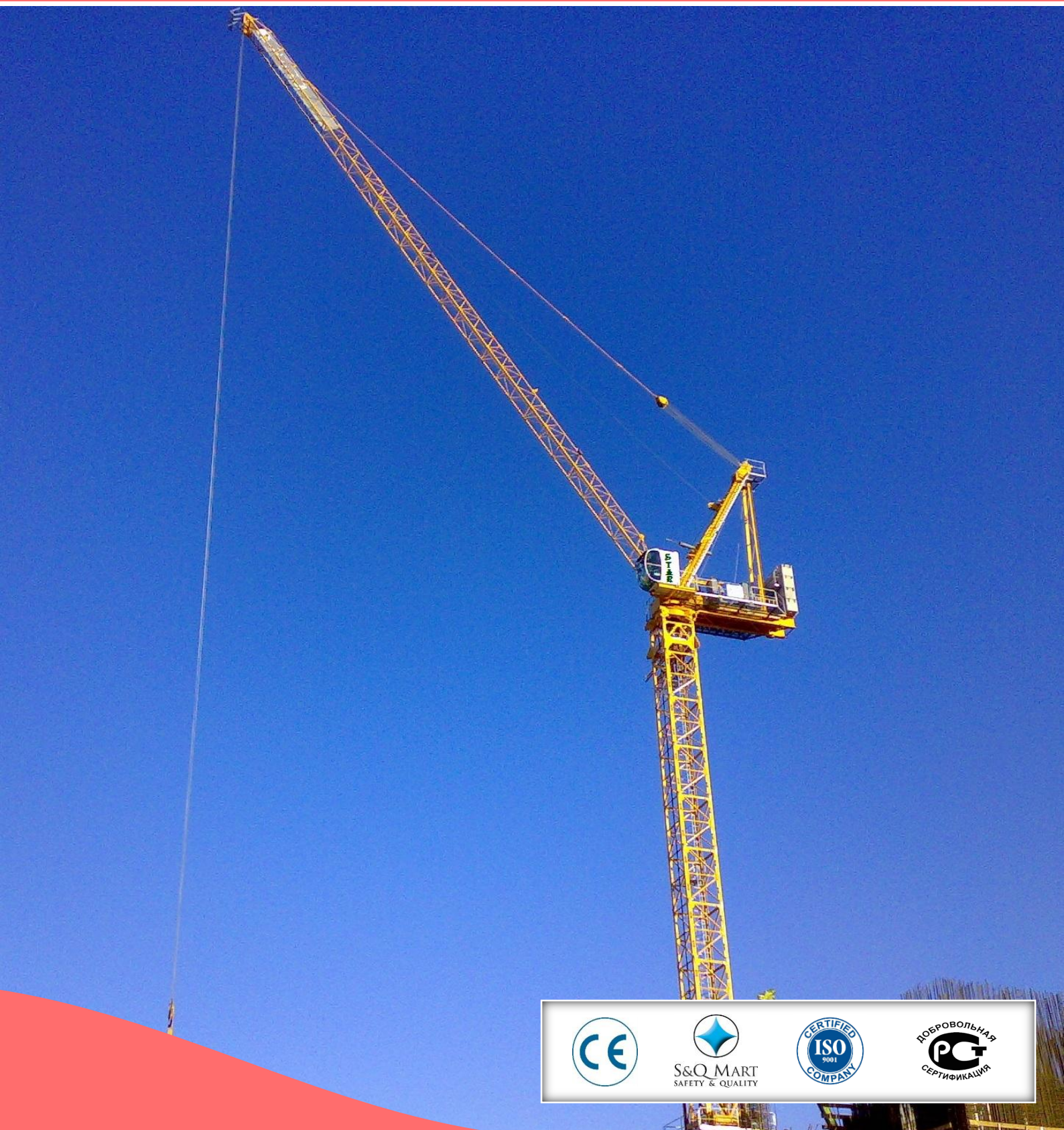


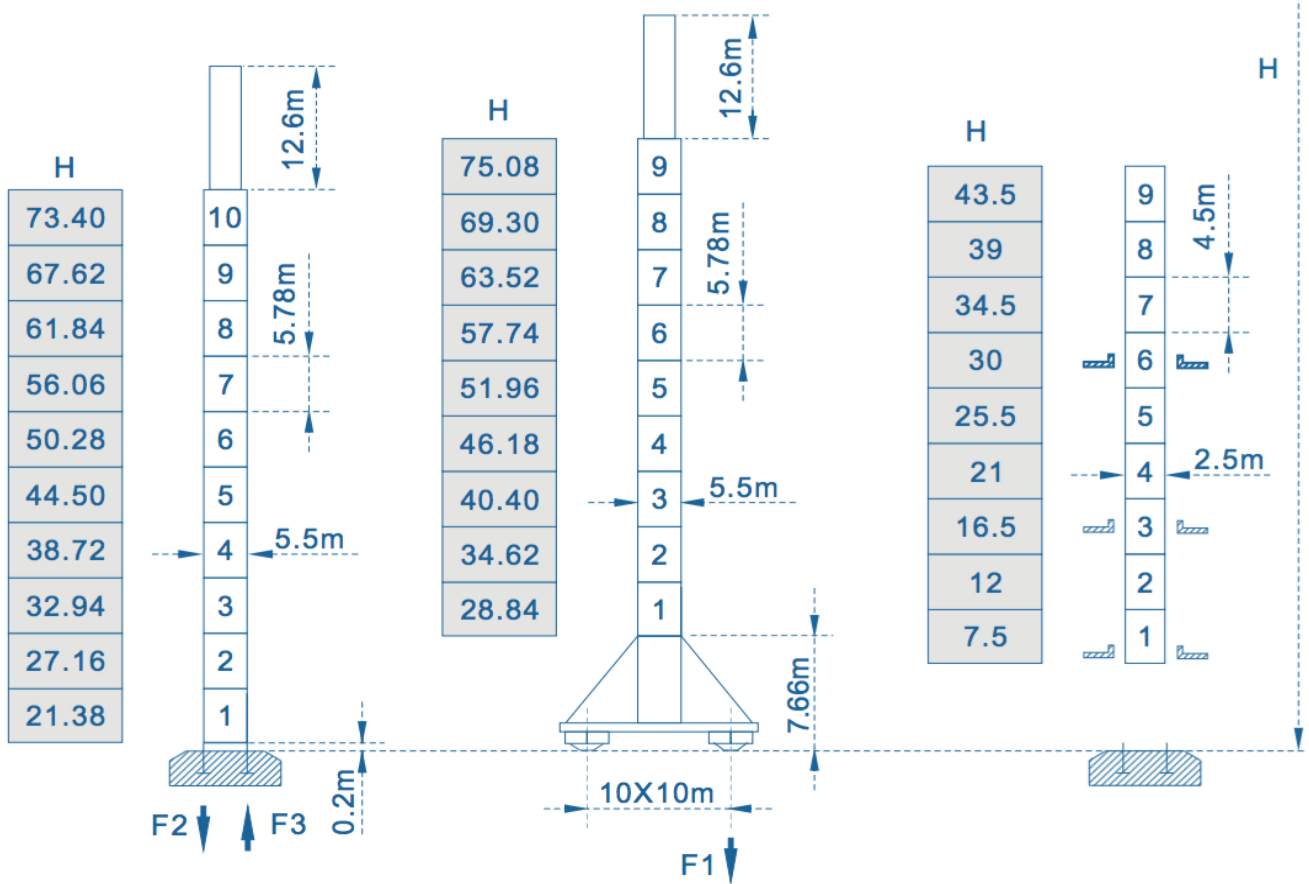


SLG 60150-45

Experts in the field



Mast ∇ 5.5m \times 5.5m

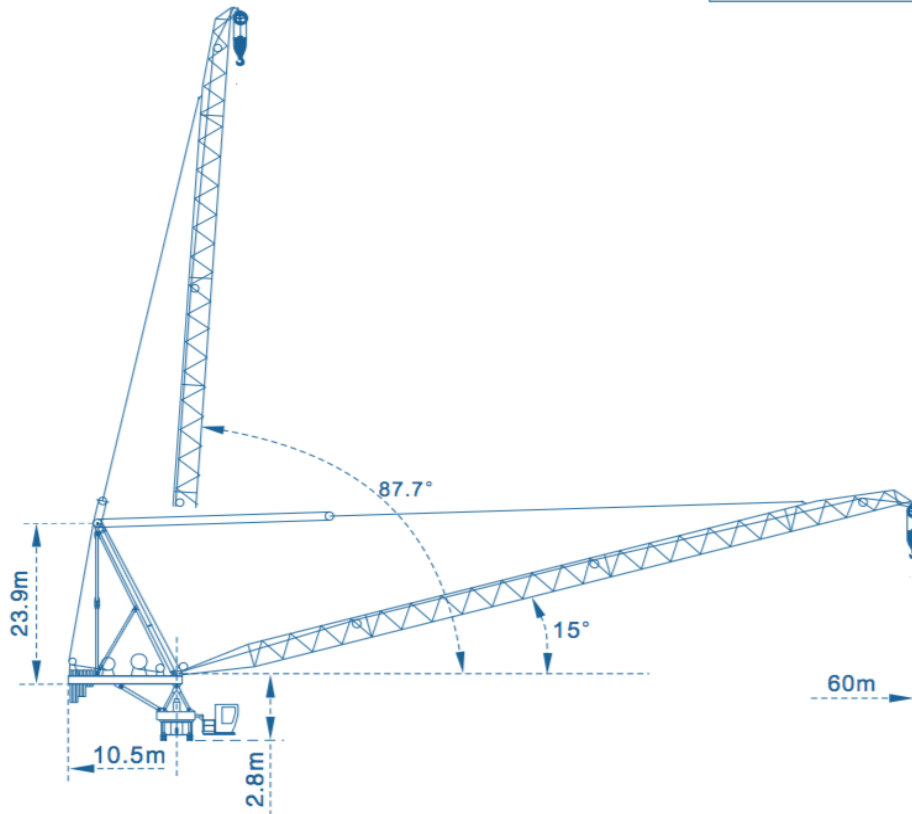


F= Reactions

H (m)

JIB Rmax=60m

Outline Dimensions



Load Diagrams

Fall	Jib m	Maximum capacity - m	30 m	35 m	40 m	45 m	50 m	55 m	60 m
a=3	60	5.0-26.0m 45.0t	38.3	31.1	25.7	21.4	18.1	15.3	13.0
	50	4.8-28.0m 45.0t	41.1	23.4	27.6	23.1	19.5		
	40	4.6-29.0m 45.0t	43.0	35.0	29.0				
a=2	60	5.0-39.0m 30.0t	30.0	30.0	27.8	23.2	19.5	16.5	14.0
	50	4.8-39.0m 30.0t	30.0	30.0	29.4	24.5	20.5		
	40	4.6-40.0m 30.0t	30.0	30.0	30.0				
a=1	60	5.0-60.0m 15.0t	15.0	15.0	15.0	15.0	15.0	15.0	15.0
	50	4.8-50.0m 15.0t	15.0	15.0	15.0	15.0	15.0		
	40	4.6-40.0m 15.0t	15.0	15.0	15.0				



SLG 60150-45

Experts in the field

Specifications Mechanisms						
Mechanisms	Motor type	Speeds m/min		Capacity t.	Rope lenght	Motor kW
Hoisting	272LVF160B ⬆️	1 fall	0-56	16	900m >900m★	200
			0-90	9.0		
		2 fall	0-25	30		
			0-50	15		
		3 fall	0-20	48		
			0-30	27		
Trolleying	150LVF ⬆️	15° ~ 87.7°			110	
Slewing	50RVF ⬆️	0-0.55 r/min			2 × 18.4	
Travelling	55TVF ⬆️	0-34			12 × 3.4	
installtion assistant	40RPC20B	0-75	2	460m	30	

★ To be supplied according to client's specific requirements

This commercial documents is not legally bindig.
For any technical information, please refer to
the corresponding instructions.

